

DPDT SWITCH GaAs MMIC

■GENERAL DESCRIPTION

NJG1524APC1 is a DPDT switch GaAs MMIC.

The two same switches are merged into one package and functionally linked. It is useful for switching two circuits in-line.

Each switches feature very low loss, high isolation and wide frequency coverage from 50MHz to 3GHz at low control voltage of 2.5V.

The ultra small & thin FFP16-C1package is adopted.

■PACKAGE OUTLINE



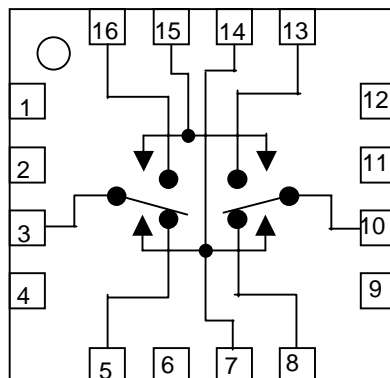
NJG1524APC1

■FEATURES

- Single low voltage control +2.5~+6.5V
- Low insertion loss 0.3dB typ. @f=1GHz, P_{IN}=0dBm, each switch
0.5dB typ. @f=2GHz, P_{IN}=0dBm, each switch
- High isolation 42dB typ. @f=2GHz, PC1-PC2
27dB typ. @f=2GHz, PC1-PA1 PC1-PA2, PC2-PB1, PC2-PB2, PA1-PA2, PB1-PB2
- Handling power 20dBm max. @f=2GHz, V_{CTL}=2.7V
- Low current consumption 16uA typ. @f=2GHz, P_{IN}=10dBm
- Ultra small & thin package FFP16-C1 (Package size: 2.5x2.5x0.85mm)

■PIN CONFIGURATION

FFP16 Type
(Top View)



Pin Connection

1.GND	9.GND
2.GND	10.PC1
3.PC2	11.GND
4.GND	12.GND
5.PB1	13.PA2
6.NC	14.VCTL1
7.VCTL1	15.VCTL2
8.PA1	16.PB2

■TRUTH TABLE

“H”=V_{CTL (H)}, “L”=V_{CTL (L)}

VCTL1	H	L
VCTL2	L	H
PC1 – PA1 PC2 – PB1	ON	OFF
PC1 – PA2 PC2 – PB2	OFF	ON

NOTE: Please note that any information on this catalog will be subject to change.

NJG1524APC1

■ABSOLUTE MAXIMUM RATINGS

($T_a=25^{\circ}\text{C}$)

PARAMETER	SYMBOL	CONDITIONS	RATINGS	UNITS
Input Power	P_{IN}	$V_{CTL(L)}=0V, V_{CTL(H)}=2.7V$	28	dBm
Control voltage	V_{CTL}	$V_{CTL(H)} - V_{CTL(L)}$	7.5	V
Power Dissipation	P_D	At on PCB board	400	mW
Operating Temp.	T_{opr}		-40~+85	$^{\circ}\text{C}$
Storage Temp.	T_{stg}		-55~+125	$^{\circ}\text{C}$

■ELECTRICAL CHARACTERISTICS (EACH SWITCH)

($V_{CTL(L)}=0V, V_{CTL(H)}=2.7V, Z_S=Z_O=50\Omega, T_a=25^{\circ}\text{C}$)

PARAMETER	SYMBOL	CONDITIONS	MIN	TYP	MAX	UNITS
Operating voltage (L)	$V_{CTL(L)}$		-0.2	0	0.2	V
Operating voltage (H)	$V_{CTL(H)}$		2.5	2.7	6.5	V
Control Current	I_{CTL}	$f=2\text{GHz}, P_{IN}=10\text{dBm}$	-	16	28	μA
Insertion loss1	Loss1	PC1-PA1, PC1-PA2, PC2-PB1, PC2-PB2 ON, $f=1\text{GHz}, P_{IN}=0\text{dBm}$	-	0.3	0.6	dB
Insertion loss2	Loss2	PC1-PA1, PC1-PA2, PC2-PB1, PC2-PB2 ON, $f=2\text{GHz}, P_{IN}=0\text{dBm}$	-	0.5	0.8	dB
Isolation1	ISL1	PC1-PA1, PC1-PA2, PC2-PB1, PC2-PB2 OFF, $f=1\text{GHz}, P_{IN}=0\text{dBm}$	25.5	27	-	dB
Isolation2	ISL2	PC1-PA1, PC1-PA2, PC2-PB1, PC2-PB2 OFF, $f=2\text{GHz}, P_{IN}=0\text{dBm}$	25	27	-	dB
Isolation3	ISL3	PA1, PA2, PB1, PB2 port 50 Ω terminal, PC1-PC2 port, $f=2\text{GHz}, P_{IN}=0\text{dBm}$ $V_{CTL1}=2.7V, V_{CTL2}=0V$	39	42	-	dB
Pin at 1dB compression point	$P_{-1\text{dB}}$	$f=2\text{GHz}$	20	23	-	dBm
VSWR (PC, P1, P2)	VSWR	$f=0.05\sim 2\text{GHz}, \text{ON State}$	-	1.3	1.6	
Switch time	T_{SW}	$f=0.05\sim 2.5\text{GHz}$	-	40	60	ns

■ TERMINAL INFORMATION

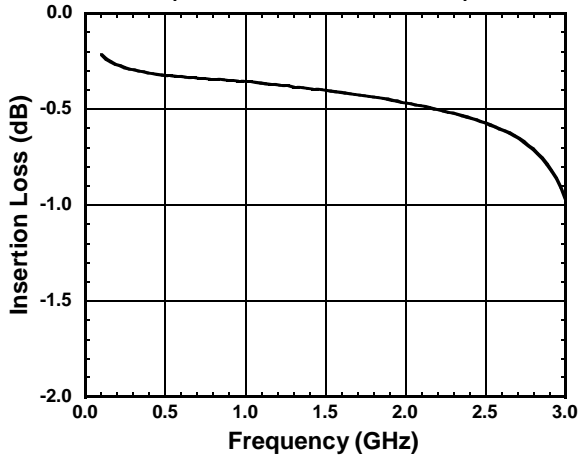
No.	SYMBOL	DESCRIPTIONS
3	PC2	Common RF port C2. In order to block the DC bias voltage of internal circuit, an external capacitor is required.
5	PB1	RF port B1. This port is connected with PC1 port by controlling VCTL2 to -0.2~+0.2V and VCTL1 to 2.5~6.5V. In order to block the DC bias voltage of internal circuit, an external capacitor is required.
6	NC	No connected terminal.
7	VCTL1	Control port 1. The voltage of this port controls PC1 to PA1/PA2 and PC2 to PB1/PB2 state. The 'ON' and 'OFF' state is toggled by controlling voltage of this terminal to high-state (2.5~6.5V) or low-state (-0.2~+0.2V). The voltage of VCTL2 should be set to opposite state. The bypass capacitor should be connected with GND as close as possible for excellent RF performance.
8	PA1	RF port A1. This port is connected with PC1 port by controlling VCTL2 to -0.2~+0.2V and VCTL1 to 2.5~6.5V. In order to block the DC bias voltage of internal circuit, an external capacitor is required.
10	PC1	Common RF port C1. In order to block the DC bias voltage of internal circuit, an external capacitor is required.
13	PA2	RF port A2. This port is connected with PC1 port by controlling $V_{CTL(L)}$ to -0.2~+0.2V and $V_{CTL(H)}$ to 2.5~6.5V. In order to block the DC bias voltage of internal circuit, an external capacitor is required.
14	VCTL1	Control port 1. The voltage of this port controls PC1 to PA1/PA2 and PC2 to PB1/PB2 state. The 'ON' and 'OFF' state is toggled by controlling voltage of this terminal to high-state (2.5~6.5V) or low-state (-0.2~+0.2V). The voltage of VCTL2 should be set to opposite state. The bypass capacitor should be connected with GND as close as possible for excellent RF performance.
15	VCTL2	Control port 2. The voltage of this port controls PC1 to PA1/PA2 and PC2 to PB1/PB2 state. The 'ON' and 'OFF' state is toggled by controlling voltage of this terminal to high-state (2.5~6.5V) or low-state (-0.2~+0.2V). The voltage of VCTL1 should be set to opposite state. The bypass capacitor should be connected with GND as close as possible for excellent RF performance.
16	PB2	RF port B2. This port is connected with PC2 port by controlling VCTL1 to -0.2~+0.2V and VCTL2 to 2.5~6.5V. In order to block the DC bias voltage of internal circuit, an external capacitor is required.
1, 2, 4, 9, 11, 12	GND	Ground terminal. Please connect this terminal with ground plane as close as possible for excellent RF performance.

NJG1524APC1

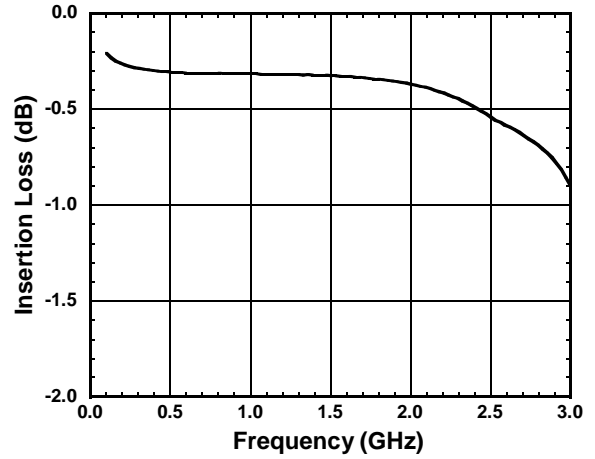
■ TYPICAL CHARACTERISTICS

(50MHz~3GHz, with application circuit, without DC blocking capacitor, losses of circuit are excluded.)

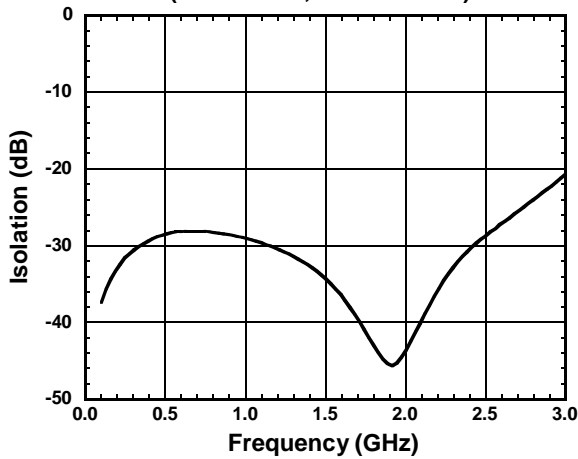
PC1-PA1 Insetion Loss vs. Frequency
(VCTL1=2.7V, VCTL2=0V)



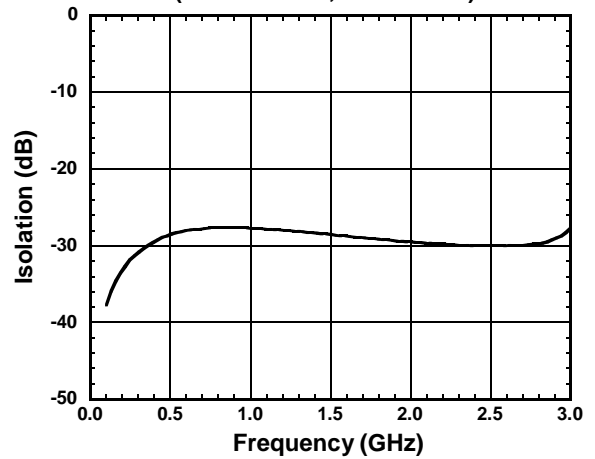
PC1-PA2 Insetion Loss vs. Frequency
(VCTL1=0V, VCTL2=2.7V)



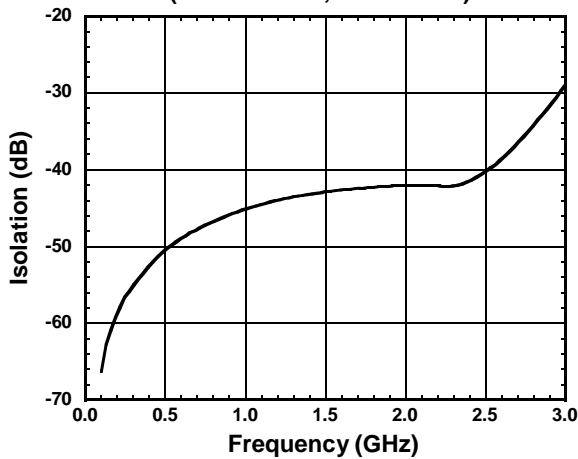
PC1-PA1 Isolation vs. Frequency
(VCTL1=0V, VCTL2=2.7V)



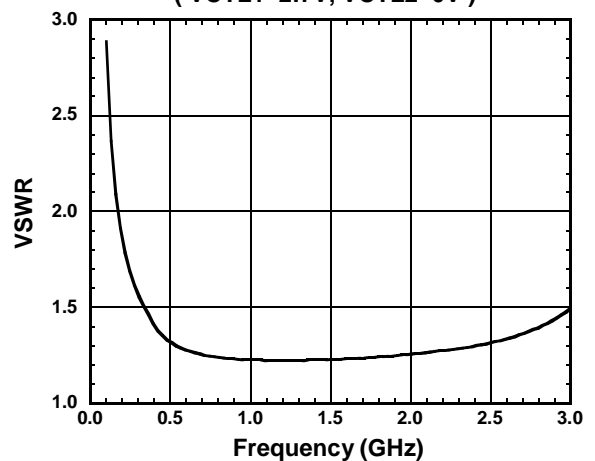
PC1-PA2 Isolation vs. Frequency
(VCTL1=2.7V, VCTL2=0V)



PC1-PC2 Isolation vs. Frequency
(VCTL1=2.7V, VCTL2=0V)



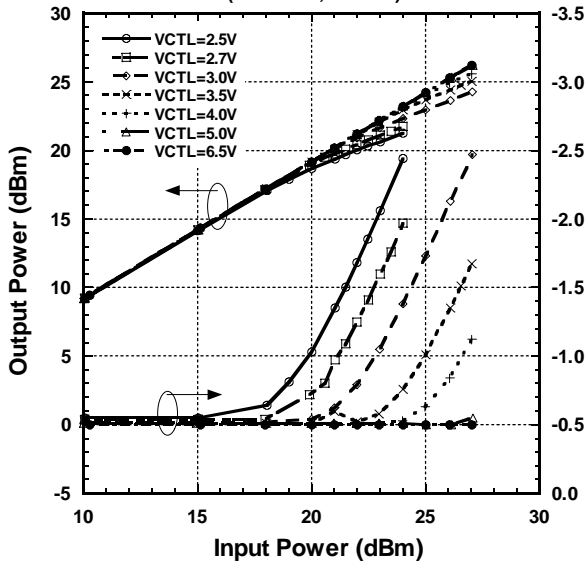
PA1 VSWR vs. Frequency
(VCTL1=2.7V, VCTL2=0V)



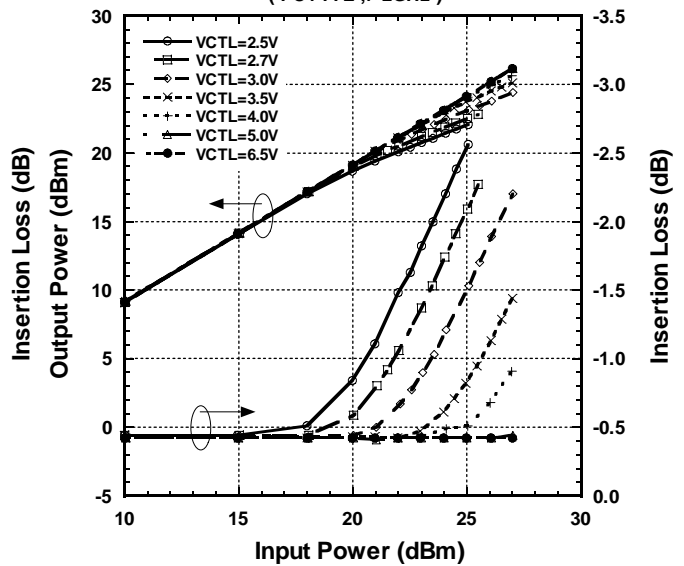
TYPICAL CHARACTERISTICS

(50MHz~3GHz, with application circuit, without DC blocking capacitor, losses of circuit are excluded.)

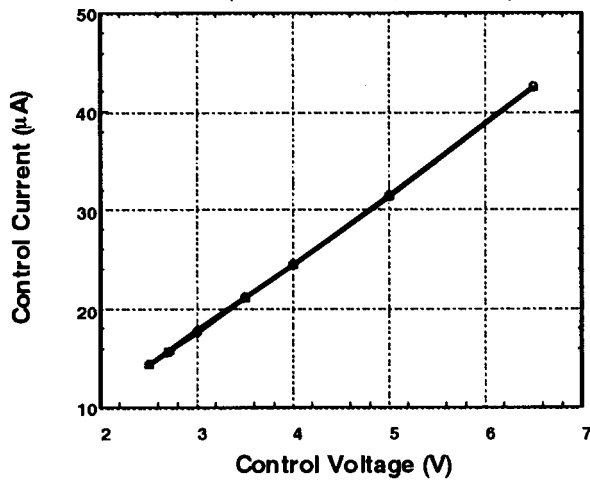
Output Power ,Insertion Loss vs. Input Power
(PC1-PA1 ,f=2GHz)



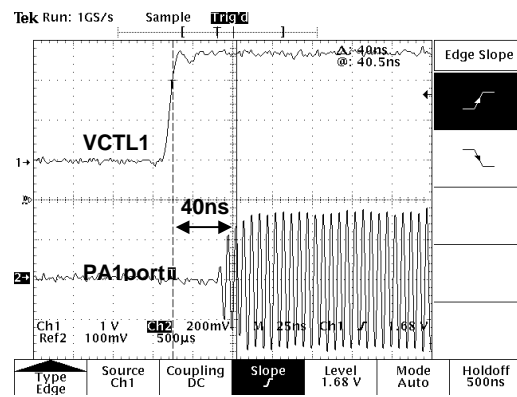
Output Power ,Insertion Loss vs. Input Power
(PC1-PA2 ,f=2GHz)



Control Current vs. Control Voltage
(PC1-PA1 ,f=1GHz ,Pin=10dBm)



Switching Speed
(VCTL=2.7V,Pin=10dBm)

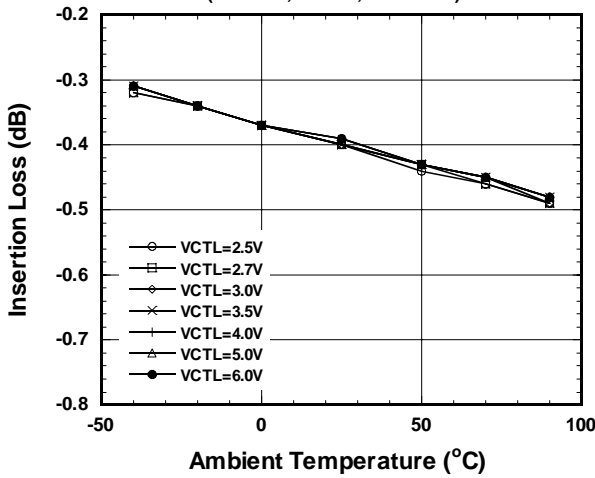


NJG1524APC1

TYPICAL CHARACTERISTICS

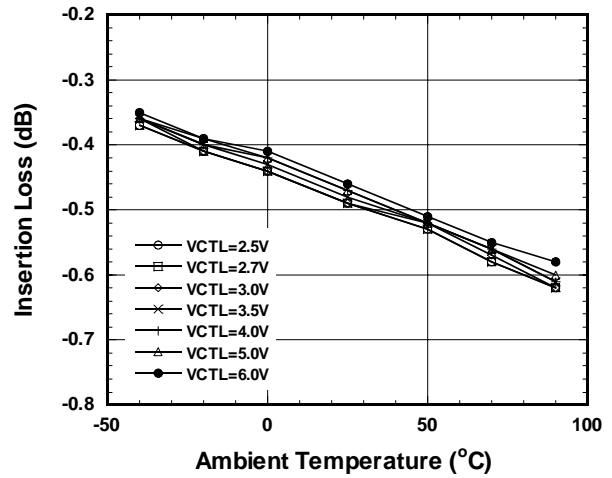
Insertion Loss vs. Ambient Temperature

(PC1-PA2, f=1GHz, Pin=0dBm)



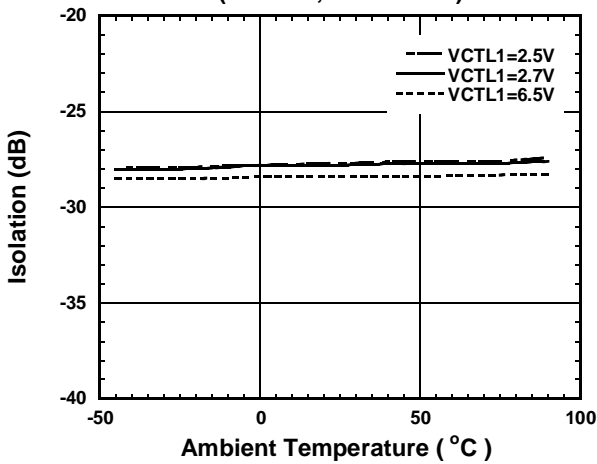
Insertion Loss vs. Ambient Temperature

(PC1-PA2, f=2GHz, Pin=0dBm)



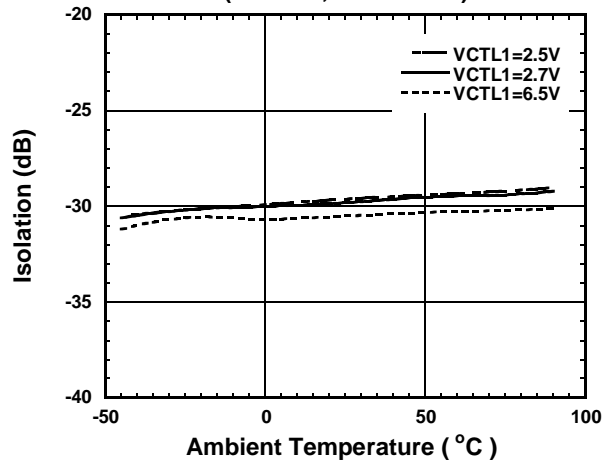
PC1-PA2 Isolation vs. Ambient Temperature

(f=1GHz, VCTL2=0V)



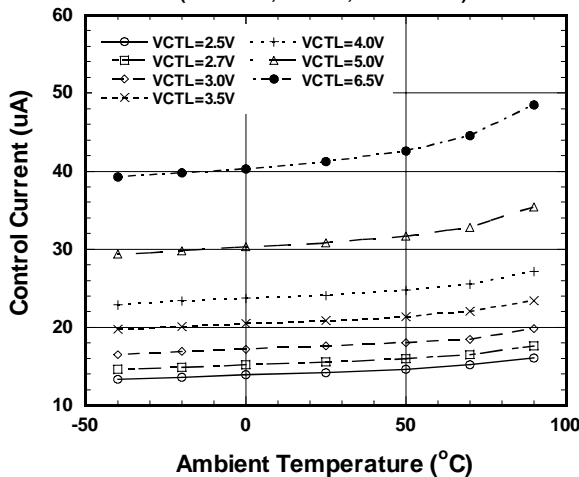
PC1-PA2 Isolation vs. Ambient Temperature

(f=2GHz, VCTL2=0V)



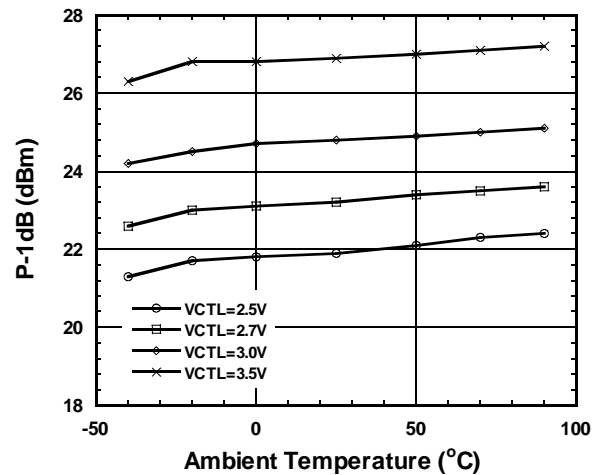
Control Current vs. Ambient Temperature

(PC1-PA2, f=1GHz, Pin=10dBm)

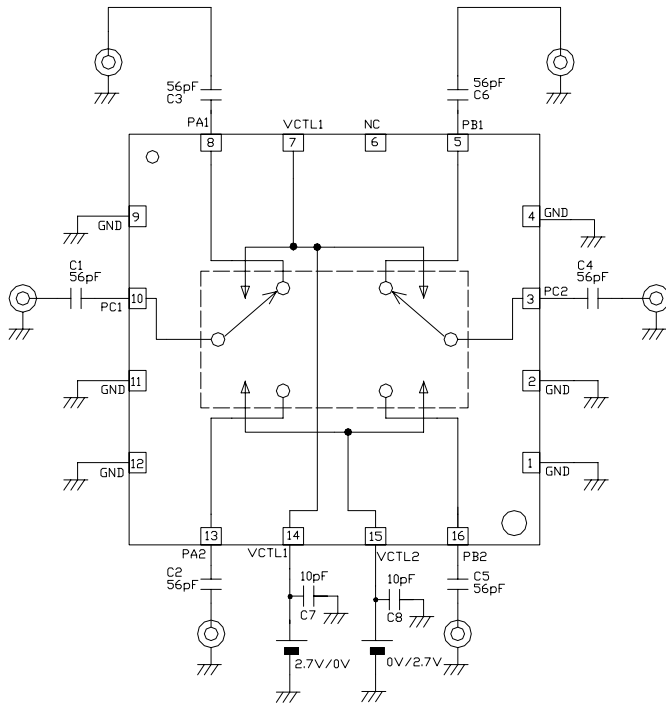


P-1dB vs. Ambient Temperature

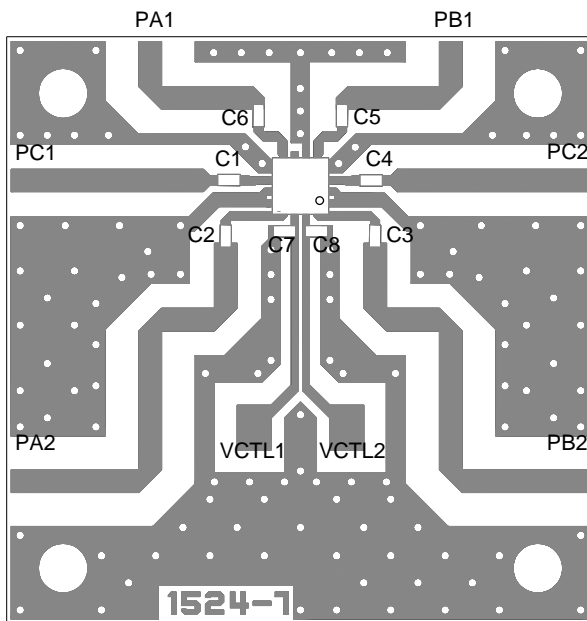
(PC1-PA2, f=2GHz)



APPLICATION CIRCUIT



RECOMMENDED PCB DESIGN



PCB SIZE=26x26mm
 PCB: FR-4, t=0.5mm
 CAPACITOR: size 1005
 Strip line width=1.0mm

Parts table

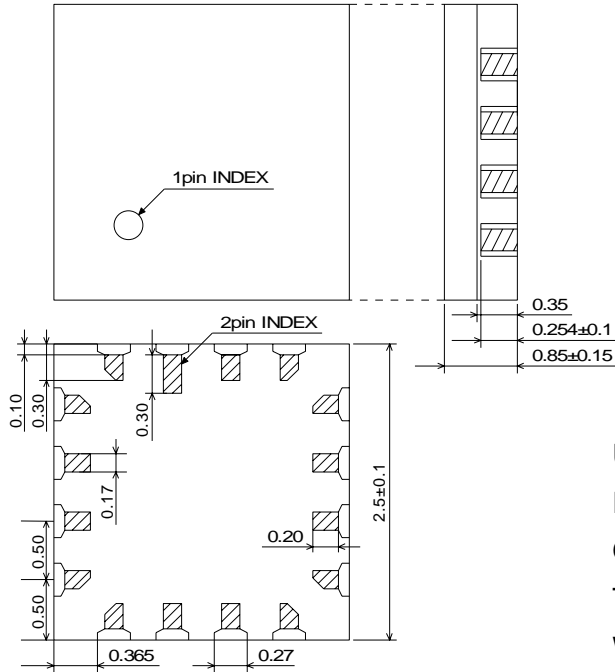
Parts ID	1	2	3
	fin=50-100 MHz	fin=0.1-0.5 GHz	fin=0.5-2.5 GHz
C1~C6	0.01uF	1000pF	56pF
C7,C8	10pF	10pF	10pF

PRECAUTION

- [1]The DC blocking capacitor have to be placed at RF terminal of PC1, PC2, PA1, PA2, PB1, PB2. Please choose appropriate capacitance values to the application frequency.
- [2]To reduce stripline influence on RF characteristics, please locate bypass capacitors (C7, C8) close to each terminal.
- [3]For good isolation the GND terminal must be placed possibly close to ground place of substrate, and through holes for GND should be placed near by the pin connection.

NJG1524APC1

PACKAGE OUTLINE (FFP16-C1)



UNIT	: mm
PCB	: Ceramic
OVER COAT	: Epoxy resin
TERMINAL TREAT	: Au
WEIGHT	: 15mg

Cautions on using this product

This product contains Gallium-Arsenide (GaAs) which is a harmful material.

- Do NOT eat or put into mouth.
- Do NOT dispose in fire or break up this product.
- Do NOT chemically make gas or powder with this product.
- To waste this product, please obey the relating law of your country.

[CAUTION]

The specifications on this databook are only given for information, without any guarantee as regards either mistakes or omissions. The application circuits in this databook are described only to show representative usages of the product and not intended for the guarantee or permission of any right including the industrial rights.

This product may be damaged with electric static discharge (ESD) or spike voltage. Please handle with care to avoid these damages.